

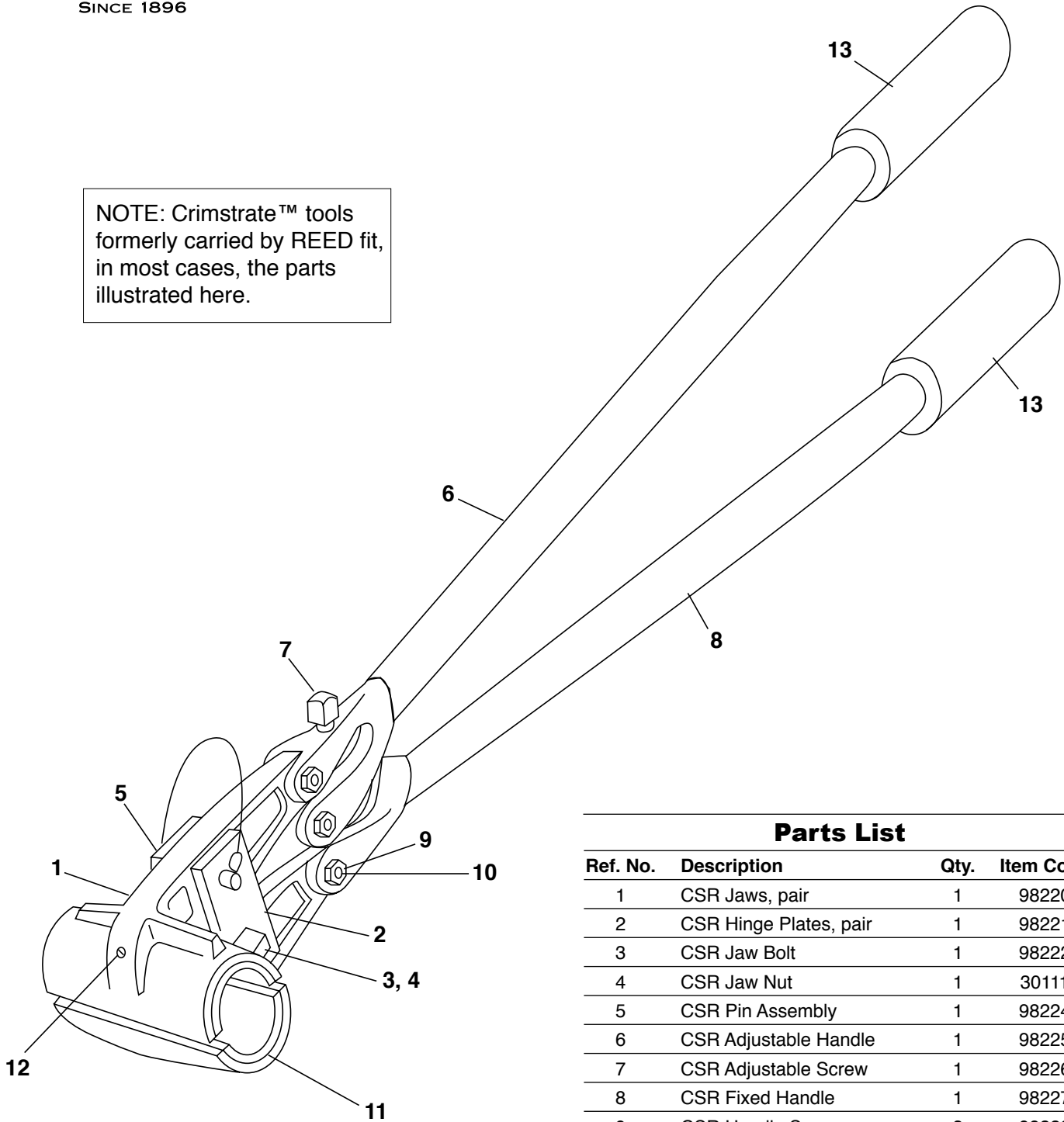


PIPE TOOLS & VISES
SINCE 1896

Round It™ Straightener/Rerounder (CSR2)

Replacement Parts

NOTE: Crimstrate™ tools formerly carried by REED fit, in most cases, the parts illustrated here.



Parts List

Ref. No.	Description	Qty.	Item Code
1	CSR Jaws, pair	1	98220
2	CSR Hinge Plates, pair	1	98221
3	CSR Jaw Bolt	1	98222
4	CSR Jaw Nut	1	30111
5	CSR Pin Assembly	1	98224
6	CSR Adjustable Handle	1	98225
7	CSR Adjustable Screw	1	98226
8	CSR Fixed Handle	1	98227
9	CSR Handle Screws	3	98228
10	CSR Handle Nuts	3	98229
11	CSR Insert 1 1/2 Tube, pair	1	08224
12	CSR Insert Screw	1	98230
13	Handle Grip	2	46481

Reed Manufacturing
1425 West 8th Street
Erie, PA 16502 USA

QUALITY
& Service
that Last a Lifetime

Phone: 800-666-3691 or +1-814-452-3691
reedsales@reedmfgco.com
www.reedmfgco.com

RP-1120-25