

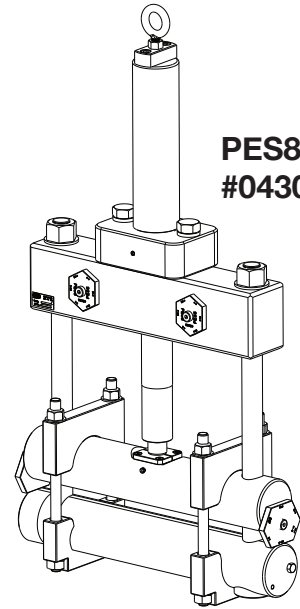
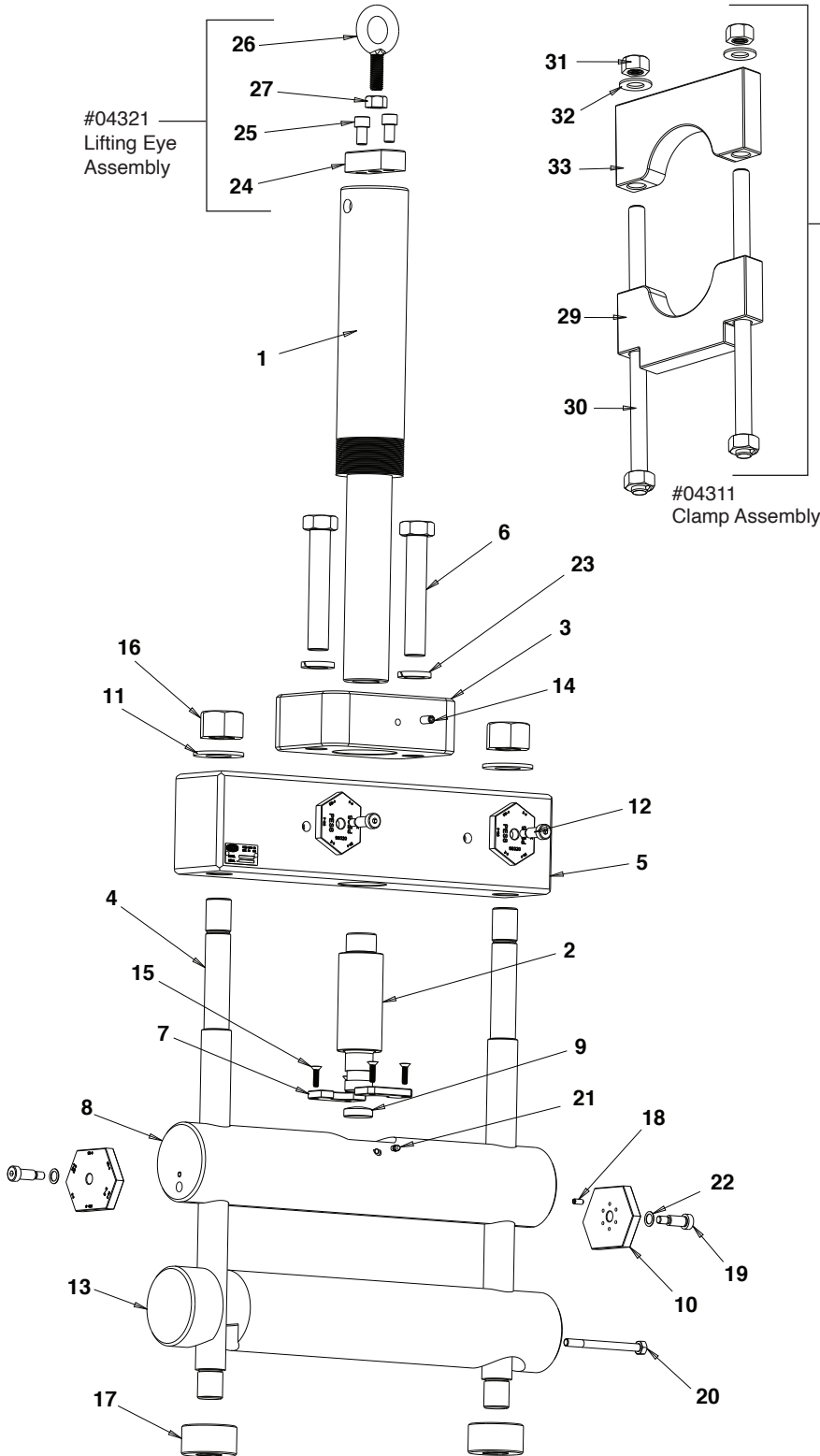


PIPE TOOLS & VISES
SINCE 1896

PES8H (Hydraulic) PE Squeeze-Off Tool

Replacement Parts

Applies to: 04309, 04707



**PES8H
#04309**

Parts List

Ref. No.	Description	Item Code	Qty. Used
1	Cylinder	94310	1
2	Rod Extension	94311	1
3	Cylinder Plate	94309	1
4	Tie Rod	98313	2
5	Head	94312	1
6	Hex Head Bolt	34309	2
7	Retainer Plate	98316	2
8	Crosshead Bar	98330	1
9	Thrust Cup	98317	1
10*	Large Stops 6-8"	98319	pair
11	Flat Washer	38312	2
12*	Small Stops 3-4"	98320	pair
13	Bottom Bar	98332	1
14	Set Screw	34310	1
15	Cap Screw	30040	4
16	Heavy Hex Nut	38311	2
17	Tie Rod End	98322	2
18	Ball Plunger	98327	2
19	Socket Shoulder Bolt	38314	4
20	Hex Bolt	30083	1
21	Grease Fitting	98323	1
22	Curved Spring Washer	92761	2
23	Lock Washer	34312	2
24	Eye Bolt Mount	98331	1
25	Socket Head Cap Screw	30138	2
26	Eye Bolt	45551	1
27	Hex Nut	30081	1
28	Clamp Assembly	04311	2
29	Bottom Clamp Bar	98336	1
30	Clamp Rod	98326	2
31	Hex Nut	38310	2
32	Flat Washer	38316	2
33	Top Clamp Bar	98335	1

Units released after August 2014 include mounting hardware for lifting.
To retrofit an older unit, purchase #04321 Lifting Eye Assembly.

*PES8H METRIC Metric units include stops 98360 & 98319SO, pair of each.