

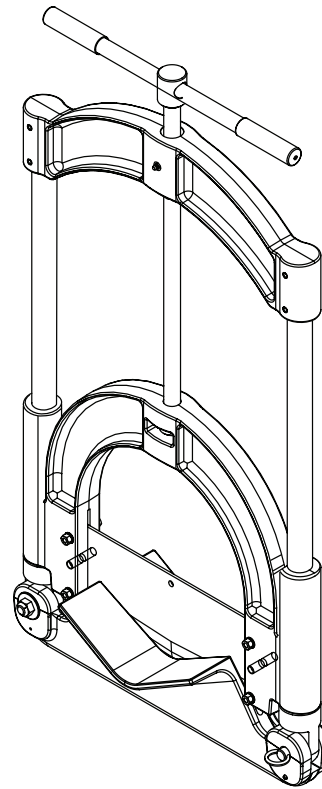
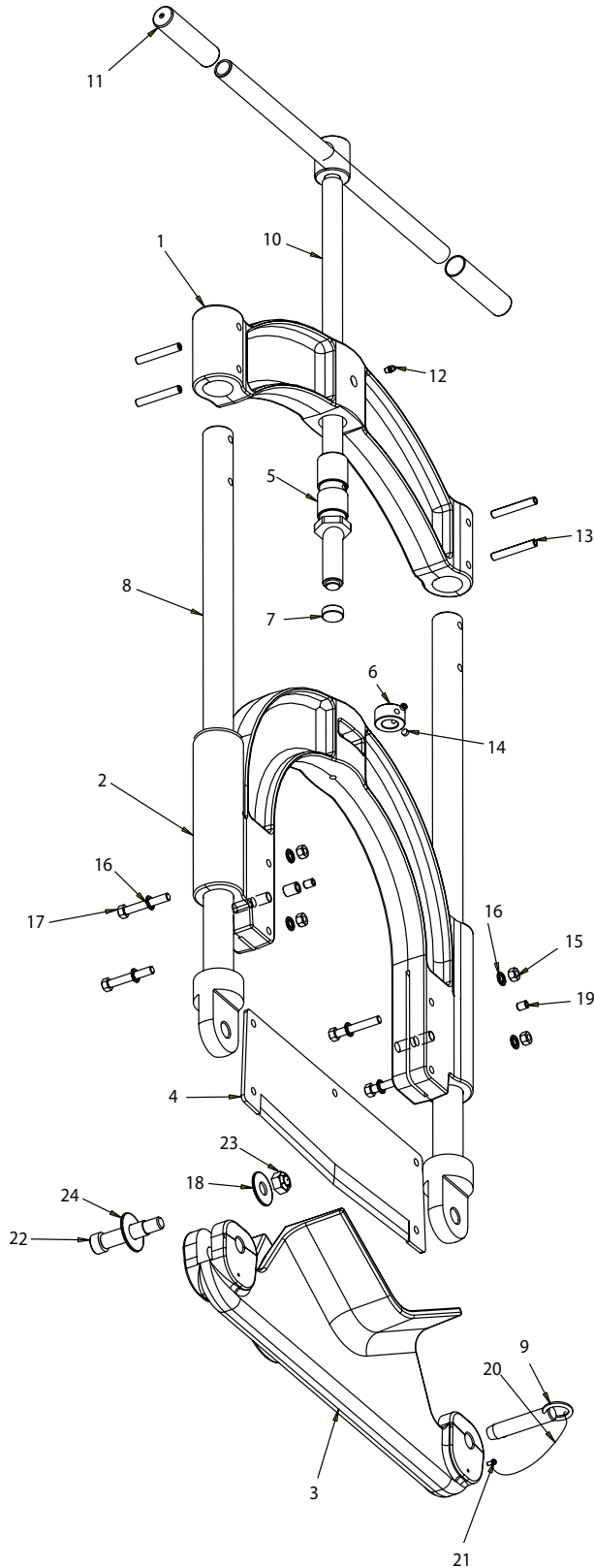


PIPE TOOLS & VISES
SINCE 1896

Guillotine Pipe Cutter HPC12

Replacement Parts

Applies to: 04612



Parts List

Ref No.	Description	Item Code	Qty.
1	Upper Yoke	94900	1
2	Cross Head Assembly	94901	1
3	Lower Yoke	94902	1
4	Blade	94903	1
5	Nut	94909	1
6	Collar	94907	1
7	Thrust Insert	94908	1
8	Guide Rod Weldment	94913	2
9	Quick Release Pin	44911	1
10	Screw Weldment	94915	1
11	Handle Grip	40095	2
12	Grease Fitting	40338	1
13	Guide Pin	30013	4
14	Set Screw	40090	2
15	Hex Nut	39032	4
16	Lock Washer	30033	8
17	Leg Bolt	30187	4
18	Washer	34911	1
19	Set Screw	34920	2
20	Lanyard	44917	1
21	Screw	34907	1
22	Shoulder Bolt	34908	1
23	Lock Nut	30111	1
24	Washer	34910	1
25	Blade Guard*	40350	1

*not shown

Reed Manufacturing
1425 West 8th Street
Erie, PA 16502 U.S.A.

QUALITY
& Service
that Last a Lifetime

Phone: 800-666-3691 or +1-814-452-3691
reedsales@reedmfgco.com
www.reedmfgco.com

RP-0225-62