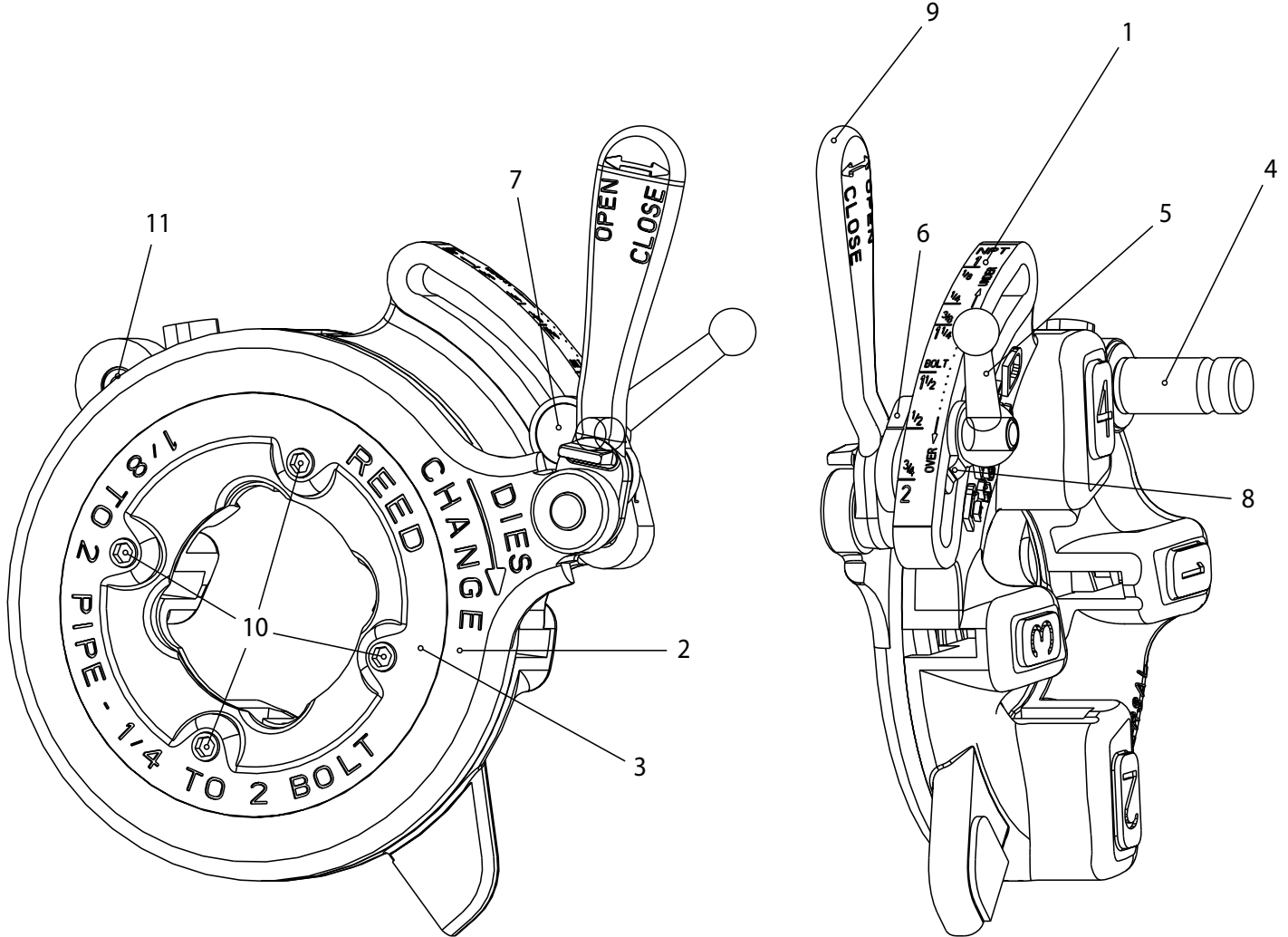




PIPE TOOLS & VISES  
SINCE 1896

# R811 Universal Die Head

## Replacement Parts



### Parts List

Ref. No.	Description	Item Code	Qty. Used
1	Head	98701	1
2	Cam Plate	98702	1
3	Retaining Ring	98703	1
4	Mounting Post	98705	1
5	Clamp Lever	98706	1
6	Link	98707	1
7	Lock Screw	98708	1
8	Lever Washer	98709	1
9	Throw-Out Lever	98718	1
10	Socket Cap Screw	30105	4
11	Socket Set Screw 2/Pk	30303	1

Reed Manufacturing Company  
1425 West 8th Street  
Erie, PA 16502 USA



Phone: 800-666-3691 or 814-452-3691  
Fax: 800-456-1697 or 814-455-1697  
[www.reedmfgco.com](http://www.reedmfgco.com)