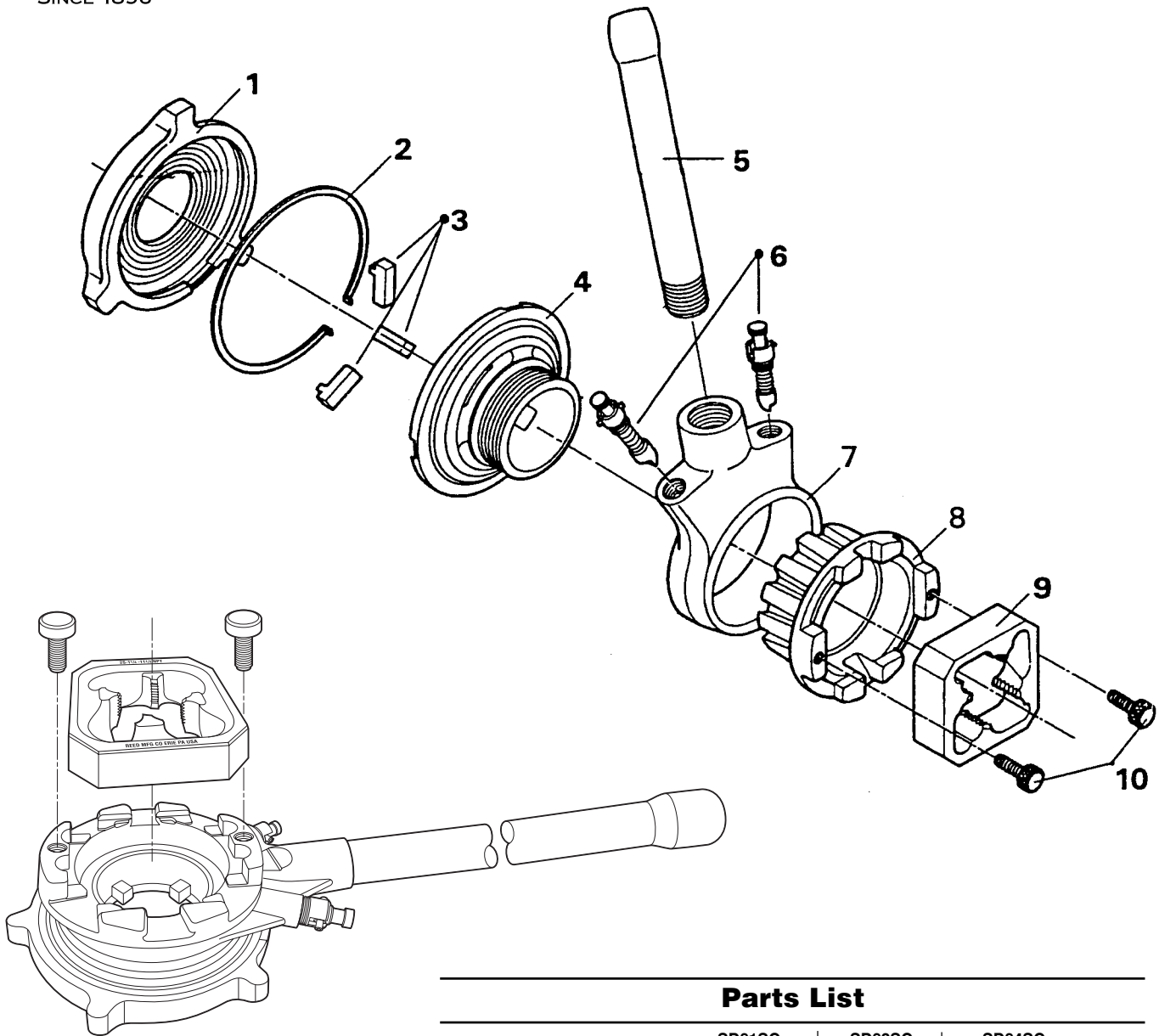




PIPE TOOLS & VISES
SINCE 1896

Solid Die, Threader Sets Adjustable Guide (SD81, SD82 & SD84)

Replacement Parts



Parts List

Ref.	Description	SD81SC Item Code	SD82SC Item Code	SD84SC Item Code	Qty.
1	Scroll Plate	95043	95049	95058	1
2	Retaining Ring	40481	40482	40484	1
3	Guide Jaw Set	95120	95121	95122	1
4	Guide Body	95044	95050	95059	1
5	Handle	97218	97219	97219	1
6	Pawl Assembly	96191	96191	96191	2
7	Ratchet Ring	95041	95047	95056	1
8	Ratchet Head	95042	95048	95057	1
9	Solid Die	Not included with the complete stock - see catalog or price list for details			
10	Die Holding Screws	95101	95102	95102	2

Reed Manufacturing Company
1425 West 8th Street
Erie, PA 16502 USA

QUALITY
& Service
that Last a Lifetime

Phone: 800-666-3691 or 814-452-3691
Fax: 800-456-1697 or 814-455-1697
www.reedmfgco.com

RP-108-94