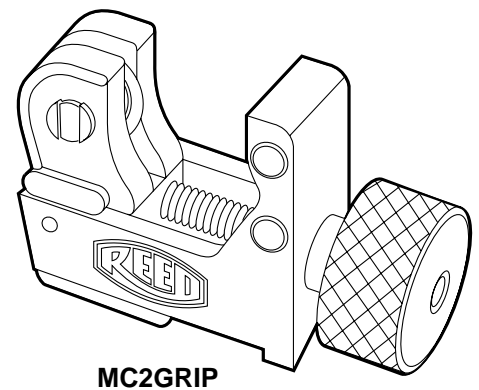
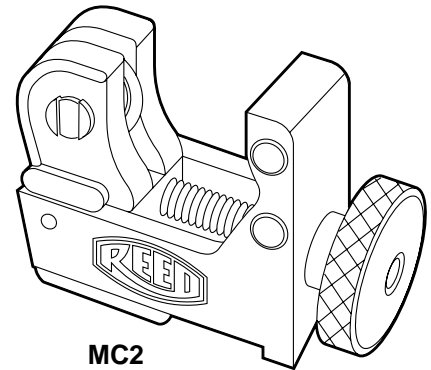
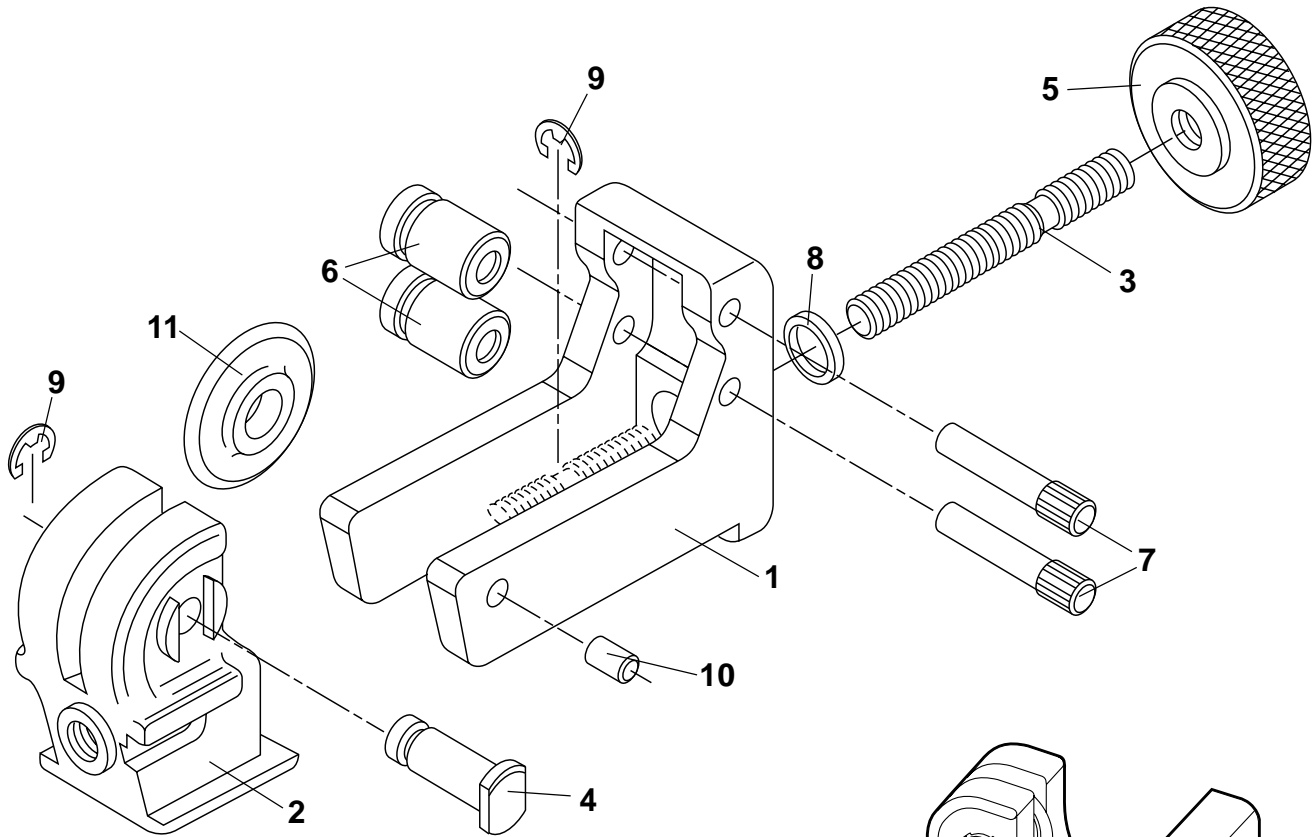




Mini Cutters (MC2 and MC2GRIP)

Replacement Parts



Parts List

Ref. No.	Description	MC2 Item Code	MC2GRIP Item Code	Qty.
1	Body	93024	93024	1
2	Block	93026	93026	1
3	Screw	40065	90068	1
4	Wheel Pin	93665	93665	1
5	Knob	40066	90067	1
6	Roller	40067	40067	2
7	Roller Pin	40068	40068	2
8	Nylon Washer	30023	30023	1
9	Retaining Ring	30024	30024	2
10	Stop Pin	30025	30025	1
11	345T Cutter Wheel	03666	03666	1

Reed Manufacturing Co.
1425 West 8th St.
Erie, PA 16502 USA



Phone: 800-666-3691 or 814-452-3691
Fax: 800-456-1697 or 814-455-1697