



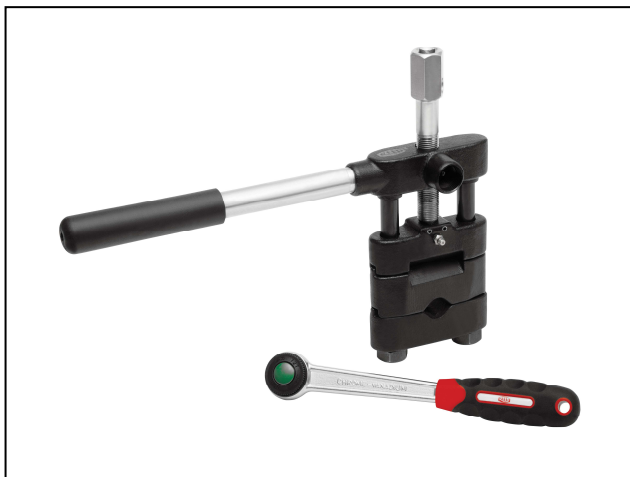
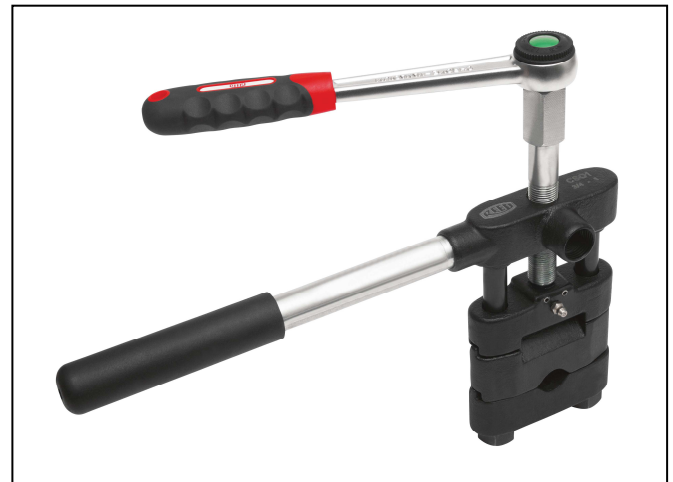
PIPE TOOLS & VISES
SINCE 1896

CSO1R

COPPER SHUT-OFF TOOL



- Shut-off and reshape soft copper tube service lines.
- Support handle can be positioned in two different, perpendicular angles for job demands.
- Threaded feed screw is zinc-plated for corrosion resistance.
- Hard anodized, aluminum castings of CSO2 models reduce tool weight and give long service life.
- Redesigned with detachable, ratchet drive handle, Reed's CSO1R stores compactly in its included, heavy-duty case.
- CSO1R uses steel castings to provide superior tool strength.



CATALOG NO.	ITEM CODE	CAPACITY	
		in-nom.	actual O.D. mm
CSO1R	08201	3/4 - 1	19 - 25

REED MANUFACTURING COMPANY

PHONE: 800-666-3691 OR 814-452-3691

FAX: 800-456-1697 OR 814-455-1697

ERIE, PA USA

www.reedmfgco.com