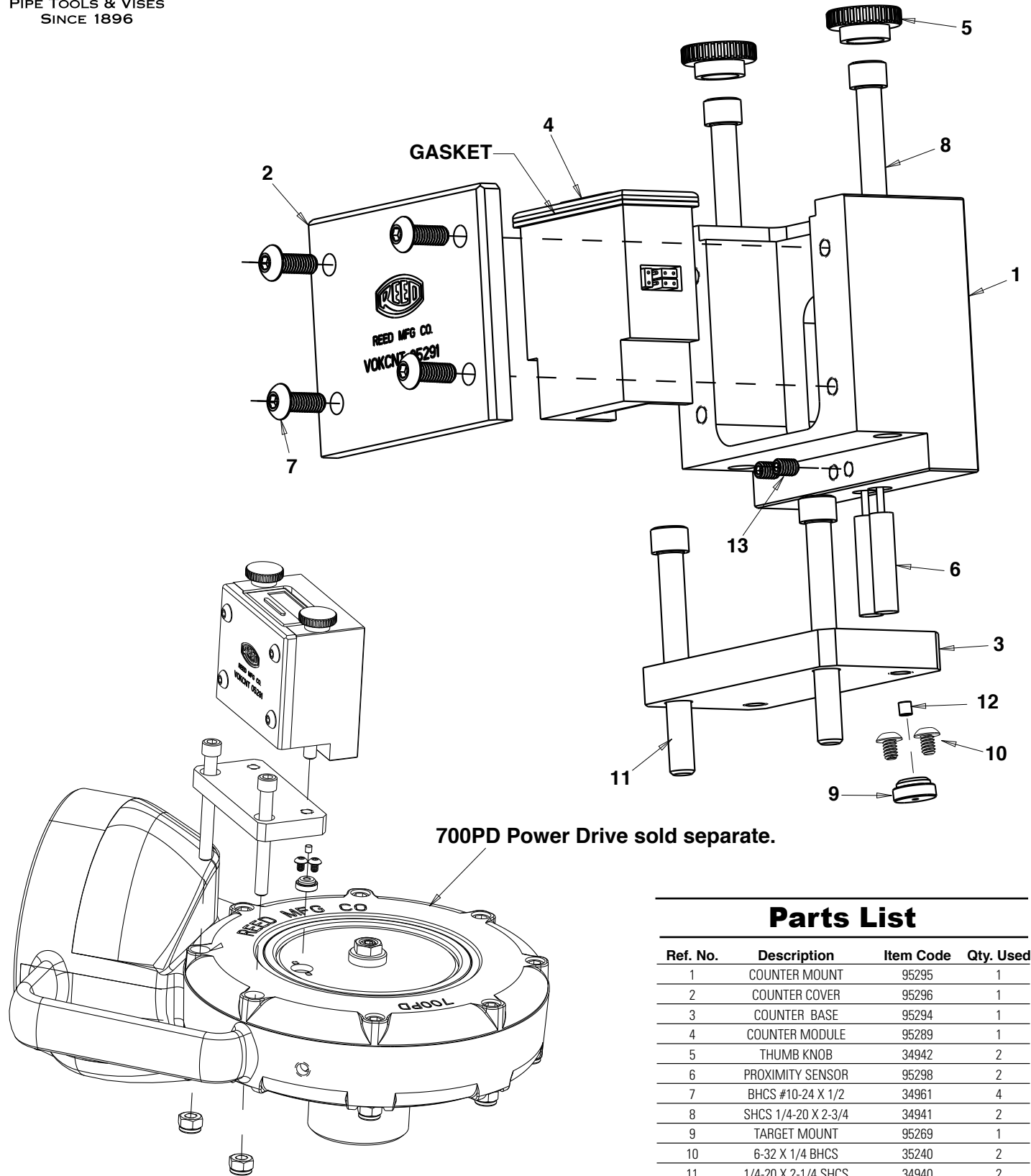




PIPE TOOLS & VISES  
SINCE 1896

# Valve Operator Counter (VOKCNT)

Replacement Parts



700PD Power Drive sold separate.

Utility Clutch #05287 sold separate.

## Parts List

Ref. No.	Description	Item Code	Qty. Used
1	COUNTER MOUNT	95295	1
2	COUNTER COVER	95296	1
3	COUNTER BASE	95294	1
4	COUNTER MODULE	95289	1
5	THUMB KNOB	34942	2
6	PROXIMITY SENSOR	95298	2
7	BHCS #10-24 X 1/2	34961	4
8	SHCS 1/4-20 X 2-3/4	34941	2
9	TARGET MOUNT	95269	1
10	6-32 X 1/4 BHCS	35240	2
11	1/4-20 X 2-1/4 SHCS	34940	2
12	MAGNET	93512	1
13	8-32 X 1/4 SSS NYLON	34944	2

Reed Manufacturing Company  
1425 West 8th Street  
Erie, PA 16502 USA

**QUALITY**  
& Service  
that Last a Lifetime

Phone: 800-666-3691 or 814-452-3691  
Fax: 800-456-1697 or 814-455-1697  
www.reedmfgco.com

RP-1018-133

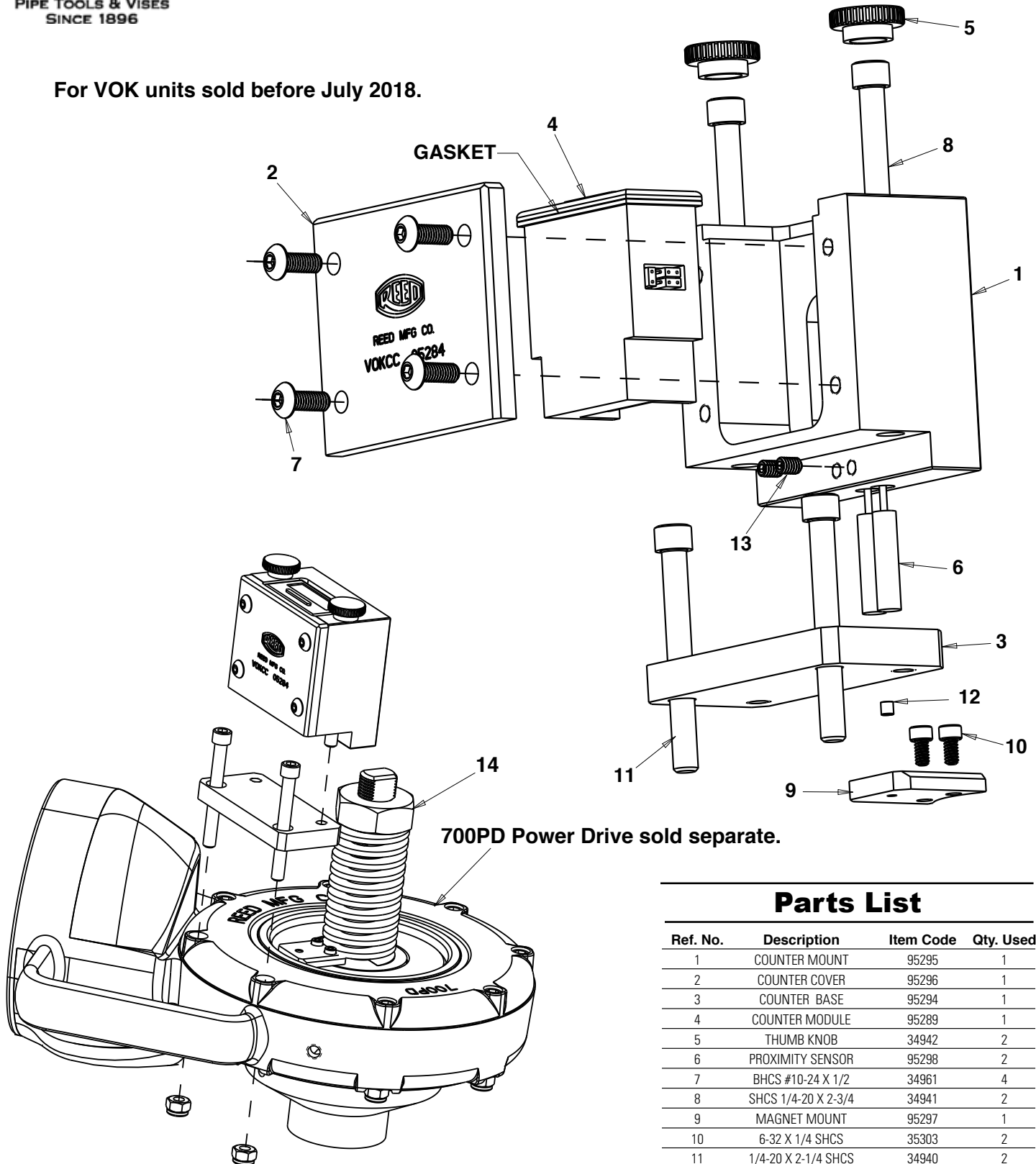


PIPE TOOLS & VISES  
SINCE 1896

# Valve Operator Clutch & Counter

Replacement Parts

For VOK units sold before July 2018.



## Parts List

Ref. No.	Description	Item Code	Qty. Used
1	COUNTER MOUNT	95295	1
2	COUNTER COVER	95296	1
3	COUNTER BASE	95294	1
4	COUNTER MODULE	95289	1
5	THUMB KNOB	34942	2
6	PROXIMITY SENSOR	95298	2
7	BHCS #10-24 X 1/2	34961	4
8	SHCS 1/4-20 X 2-3/4	34941	2
9	MAGNET MOUNT	95297	1
10	6-32 X 1/4 SHCS	35303	2
11	1/4-20 X 2-1/4 SHCS	34940	2
12	MAGNET	93512	1
13	8-32 X 1/4 SSS NYLON	34944	2
14	CLUTCH ASSEMBLY	05283	1

Reed Manufacturing Company  
1425 West 8th Street  
Erie, PA 16502 U.S.A.



Phone: 800-666-3691 or 814-452-3691  
Fax: 800-456-1697 or 814-455-1697  
www.reedmfgco.com

RP-1018-133