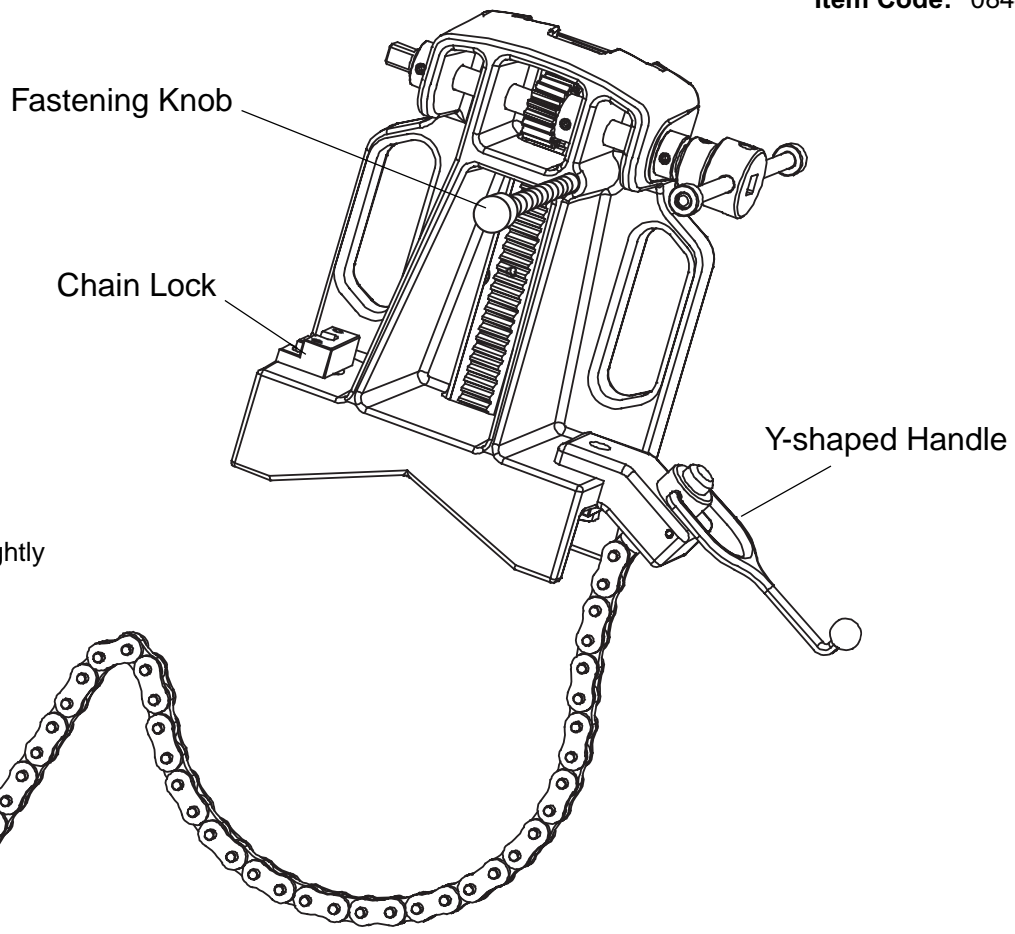




PIPE TOOLS & VISES  
SINCE 1896

# Hole Master™ Operating Instructions

Catalog No. HCB-475BAT  
Item Code: 08449



TIP: Backing off the drill slightly can clear the drilling area.

## Using the Reed Hole Master™ Cutting Tool.

1. Attach the Hole Master™ to the pipe by placing the chain around the pipe and secure it into the Chain Lock.
2. Use the "Y-shaped Handle" to tighten chain in the Chain Lock.
3. Secure power drill to drill holder. A 3/8" hex Allen wrench is required to tighten the drill holder fastener. Check to make sure correct drill is used with the designated drill holder.
4. The two "spade handle" fasteners are also required to secure power drill to the drill holder. Small holes are pre-drilled to required depth. (See #2, right column.)
5. Install the Mounting Plate into the Hole Master base. Tighten Mounting Plate with the Fastening Knob.
6. Install hole saw with pilot drill into the power drill. Loosen Fastening Knob.
7. Turn on the drill, set the pilot drill on pipe and begin the cut by advancing the hole saw through the pipe.

8. Upon hole cutting completion, back off the drill and secure it with the Fastening Knob.
9. Remove the Mounting Plate, with drill, from the Hole Master. Safety first!

## Mounting Dewalt® Drill to the Mounting Plate

1. Remove 98960 Drill Mount from 98946 Plate by loosening and removing the screws.
2. Place the 98960 Drill Mount over the chuck end of the drill.
3. Reattach the 98960 Drill Mount to the 98946 Plate.
4. Stand the 98946 Plate up with the drill chuck end up and the handle end down. Push the drill motor into the pins. Ensure the pins sit into the screw head recesses.
5. Tighten 38961 Screw.



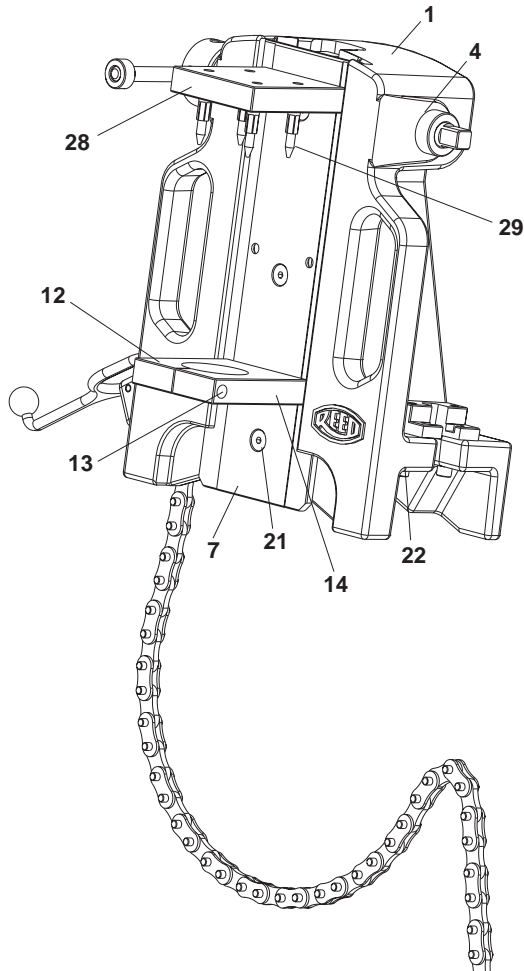
PIPE TOOLS & VISES  
SINCE 1896

# Hole Master™

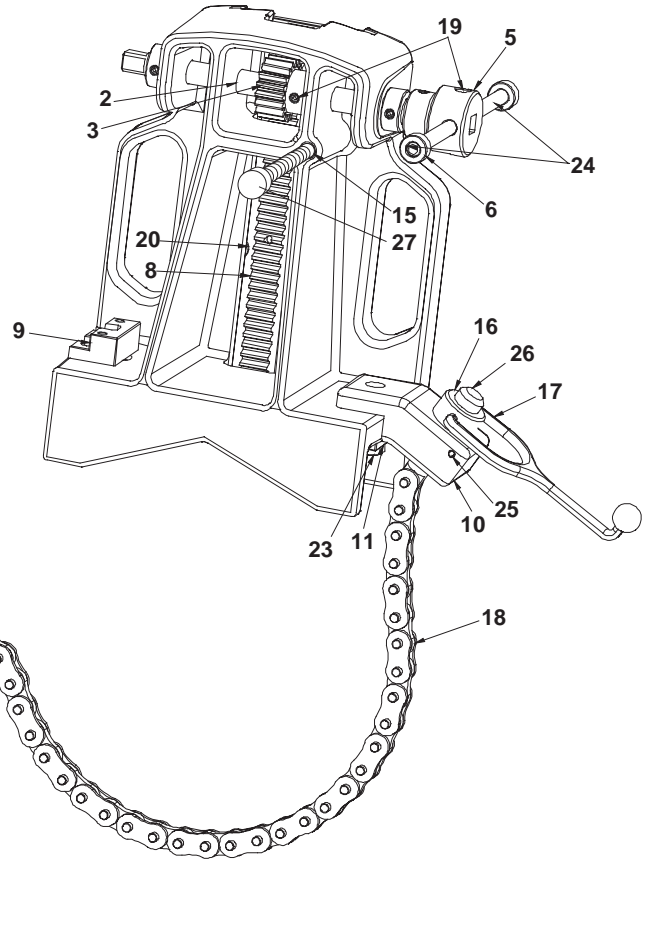
Replacement Parts

## Hole Cutting Base

Item Code: 08449 HCB-475BAT



Patent Pending



### Parts List

Ref. No.	Description	Item Code	Qty.	Ref. No.	Description	Item Code	Qty.
1	Drill Press Housing	98940	1	16	Nut	98026	1
2	Shaft	98941	1	17	Handle	92007	1
3	Gear	98942	1	18	30" Chain	98954	1
4	Collar	98943	2	19	3/8" Set Screw	30113	3
5	Handle	98944	1	20	5/8" FHCS	38842	4
6	Handle Arm	98945	1	21	3/4" FHCS	38843	3
7	Mounting Plate	98946	1	22	1-1/2" SHCS	37668	2
8	Height Adjuster Rack	98947	1	23	Hex Bolt	38844	1
9	Chain Lock	98948	1	24	Collar	38848	1
10	Chain Adjuster Holder	98949	1	25	2" Roll Pin	38846	1
11	Clamp	98950	1	26	3/4 - 4 Screw	98955	1
12	Drill Mount	98960	1	27	Plastic Foot	38441	1
13	2-1/4" SHCS	38961	1	28	Pin Mount	98961	1
14	3/4" FHCS	38842	1	29	Pin	98962	4
15	Screw with Knob	38440	1				

Reed Manufacturing Company  
1425 West 8th St.  
Erie, PA 16502 USA



Phone: 800-666-3691 or 814-452-3691  
Fax: 800-456-1697 or 814-455-1697  
www.reedmfgco.com