



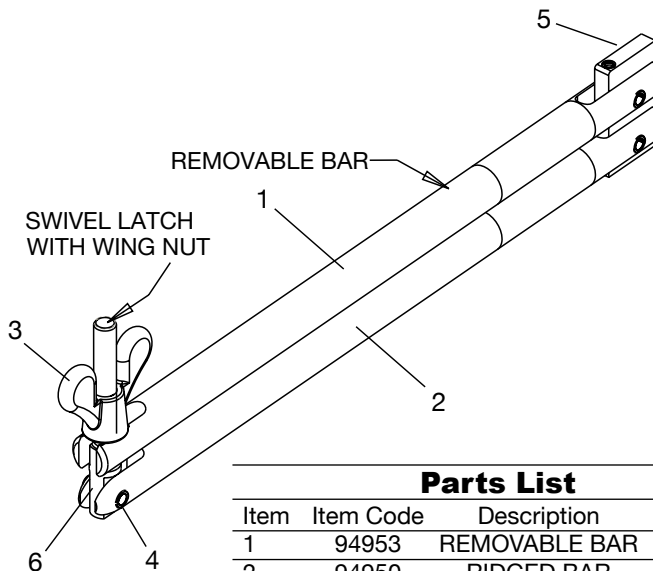
PIPE TOOLS & VISES
SINCE 1896

SSPEX1 - PEX Shut-Off Tool Operating Instructions

#04950

PEX Shut-Off Tools are designed for emergency shut off of $\frac{1}{2}$ " and $\frac{3}{4}$ " Pex tubing. The SSPEX1 features a snap hinge that can be taken apart quickly to allow work in confined areas. The open end has a wing nut to secure the tool closed until the repair is complete.

1. If necessary to install the SSPEX1 over the PEX tubing in a difficult place to reach, unsnap the removable bar and then once into position resnap it into place.
2. Squeeze the two bars of the SSPEX1 by hand then use the swivel latch with wing nut to complete the squeeze. Turn the wing nut clockwise to tighten.
3. When the user is ready to remove the SSPEX1 tool from the PEX tubing, simply loosen the wing nut and rotate the swivel latch allowing the squeeze bar to open up.



Parts List

Item	Item Code	Description	Quantity
1	94953	REMOVABLE BAR	1
2	94950	RIDGED BAR	1
3	92776	WING NUT	1
4	34950	SPRING PIN	3
5	94954	HINGE	1
6	94952	LATCH	1

Reed Manufacturing Company
1425 West 8th Street
Erie, PA 16502 USA

QUALITY
&Service
that Last a Lifetime

Phone: 800-666-3691 or 814-452-3691
Fax: 800-456-1697 or 814-455-1697
www.reedmfco.com

809 - #54953