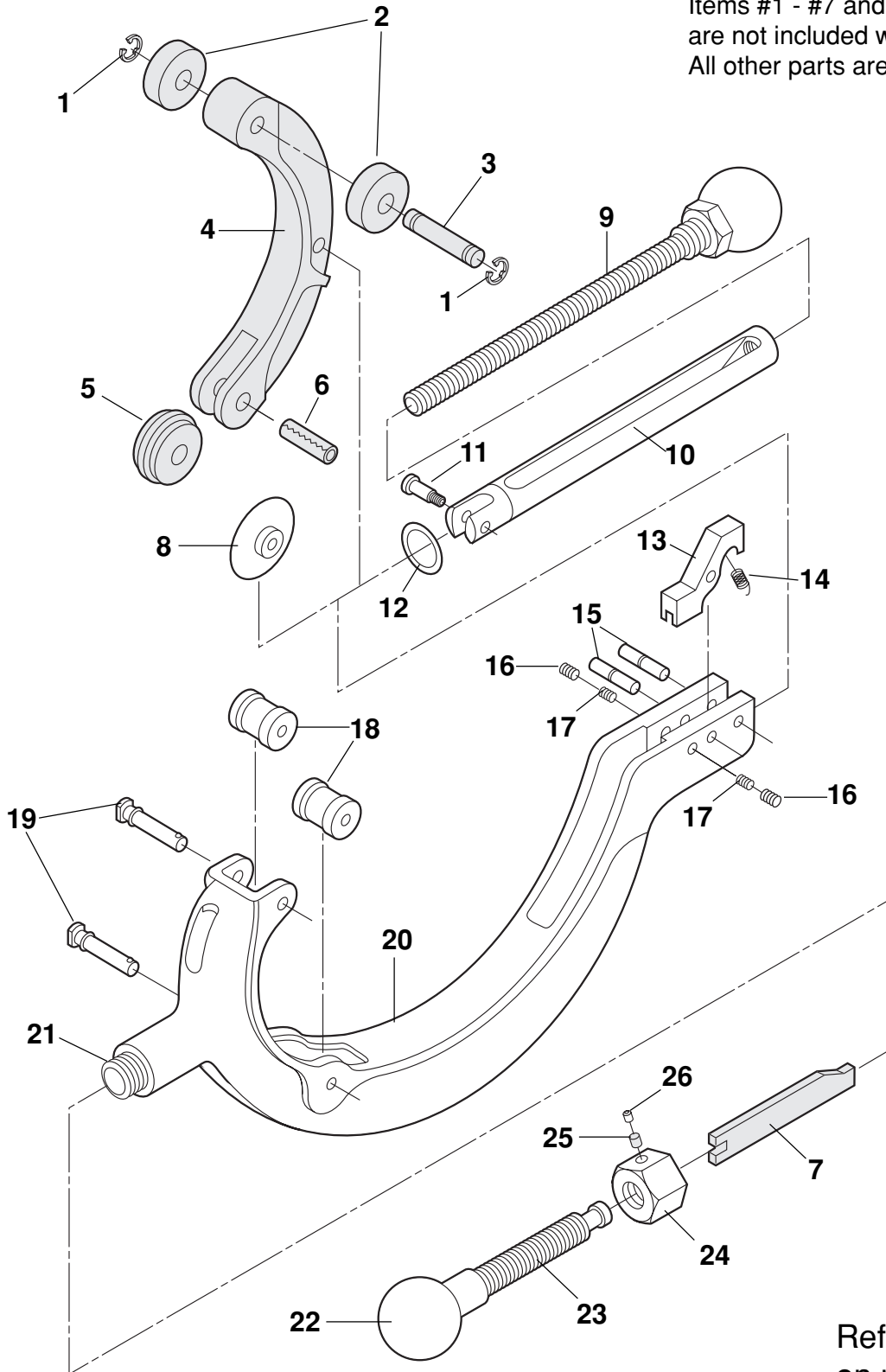




PIPE TOOLS & VISES  
SINCE 1896

# Quick Release™ Tubing Cutters (TC8QP & TC8QPL)

Replacement Parts



Items #1 - #7 and #25 (shaded areas) are not included with the TC8QPL. All other parts are interchangeable.

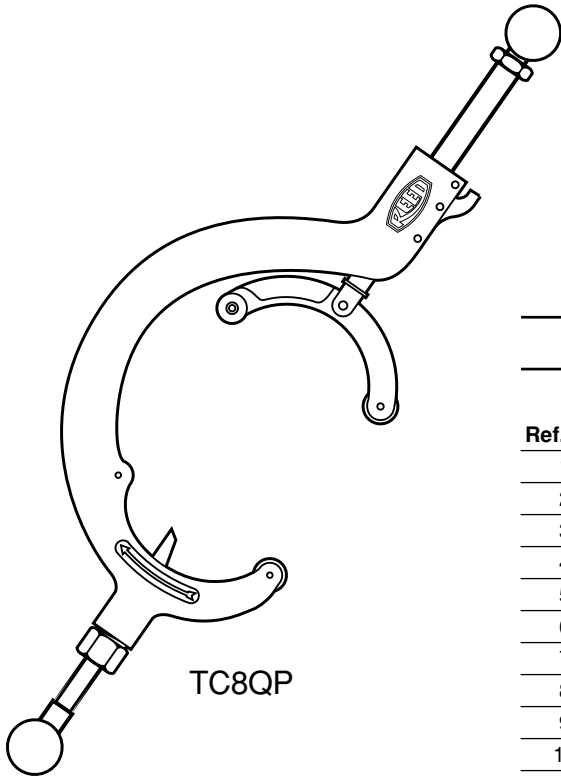
Reference chart on reverse side



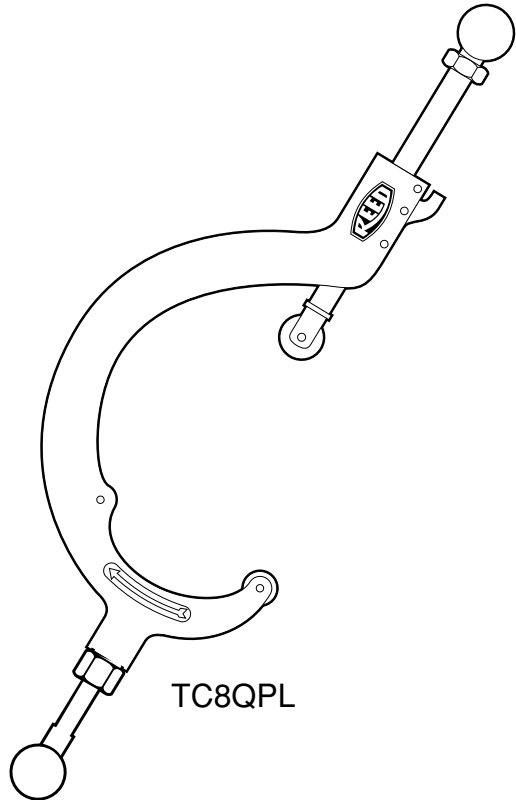
PIPE TOOLS & VISES  
SINCE 1896

# Quick Release™ Tubing Cutters (TC8QP & TC8QPL)

Replacement Parts



TC8QP



TC8QPL

## Parts List

Ref. No.	Description	Item Code	TC8QP	TC8QPL
			Qty. Used	Qty. Used
1	Retaining Ring	30020	2	-
2	3/4 Guide Roller	94025	2	-
3	Guide Roller Pin	94028	1	-
4	Roller Attachment	94026	1	-
5	1/2 Guide Roller	94024	1	-
6	Roll Pin	30017	1	-
7	Parting Tool Blade	04191	1	-
8	Cutter Wheel	04199	1	1
9	Handle & Screw Assembly	94013	1	1
10	Bar	94019	1	1
11	Wheel Screw	93431	1	1
12	Retaining Ring	30016	1	1
13	Zip Nut	40053	1	1
14	Zip Nut Spring	40055	1	1
15	Zip Nut Pivot Screw	94021	2	2
16	Set Screw	40083	2	2
17	Nut Set Screw	30019	2	2
18	Body Roller	94023	2	2
19	Roller Pin Assembly	94029	2	2
20	Body	94018	1	1
21	Barrel	94031	1	1
22	Red Ball Knob	40051	1	1
23	Trim Blade Feed Screw	94016	1	1
24	Trim Blade Cap Nut	94017	1	1
25	Lubrihyde Plug	40052	1	-
26	Set Screw	30018	1	1